

Cam Follower Manual: Advanced Troubleshooting and Performance Optimization

Introduction

In the realm of mechanical engineering, cam followers play a pivotal role in various applications, offering efficient solutions for motion transmission and control. Cam followers, also known as track followers or camshaft followers, are essential components in mechanisms where precise motion and reliability are paramount. Understanding the nuances of cam followers is crucial for maintaining optimal performance in diverse industrial settings.

Overview of cam followers: Cam followers are specialized bearings designed to follow cams or tracks, translating rotational motion into linear motion with minimal friction. They consist of a stud or shaft with a concentric or eccentric profile, a roller or needle bearing, and integral flanges or seals. These versatile components find applications in numerous industries, including automotive, aerospace, manufacturing, and robotics.

Importance of maintaining optimal performance: The performance of cam followers directly influences the efficiency, reliability, and longevity of machinery. Any deviation from optimal performance can result in increased friction, wear, and potential failure of critical components. Regular maintenance and troubleshooting are essential to identify and rectify issues promptly, ensuring uninterrupted operation and minimizing downtime.

Purpose of the manual: The "Cam Follower Manual: Advanced Troubleshooting and Performance Optimization" serves as a comprehensive guide for engineers, maintenance personnel, and enthusiasts involved in the operation and maintenance of machinery equipped with cam followers. This manual goes beyond basic maintenance procedures, delving into advanced troubleshooting techniques and performance optimization strategies to maximize the efficiency and longevity of cam follower systems.



Understanding Cam Followers

Definition and types of cam followers: Cam followers are specialized bearings designed to track cams or tracks, converting rotational motion into linear motion while minimizing friction. There are several types of cam followers, each suited for specific applications and operating conditions. These include:

Type of Cam Follower	Description	Common Applications
Stud Type	These cam followers feature a stud or shaft with a threaded end for easy installation. They are commonly used in applications where space is limited or frequent adjustment is required.	Automotive engine valve trains, machinery with limited space or frequent adjustments
Yoke Type	Yoke type cam followers incorporate a yoke or mounting flange, providing a sturdy attachment point for heavy-duty applications.	Industrial machinery such as conveyor systems, packaging equipment
Crowned	Crowned cam followers have a slightly crowned outer surface,	High-speed machinery, applications requiring load

allowing them to accommodate misalignment and distribute load evenly.

distribution and misalignment compensation

Common applications and industries: Cam followers find widespread use in various industries and applications due to their versatility and reliability. Some common applications include:

Automotive: Cam followers are used in engine valve train systems, where they follow the profile of the camshaft to actuate the valves, controlling the flow of air and fuel into the combustion chambers.

Aerospace: In aircraft landing gear systems, cam followers support the weight of the aircraft during takeoff and landing, providing smooth and reliable motion.

Manufacturing: Cam followers are integral components in production machinery, such as CNC machines, printing presses, and textile equipment, where they ensure precise motion control and positioning.

Key components and their functions: A cam follower consists of several essential components, each serving a specific function:

Stud or Shaft: The stud or shaft provides a mounting point for the cam follower and transmits the applied load to the bearing components.

Roller or Needle Bearing: The roller or needle bearing facilitates smooth rotation of the cam follower, minimizing friction and wear.

Flanges or Seals: Integral flanges or seals help retain lubrication and prevent contaminants from entering the bearing assembly, prolonging service life and reliability.

Understanding the design and function of these key components is essential for selecting the right cam follower for a given application and ensuring optimal performance and longevity.

Troubleshooting Common Issues

In the realm of cam followers, encountering problems is inevitable due to the demanding nature of their applications. Understanding how to identify and address these issues is crucial for maintaining optimal performance and minimizing downtime. Here, we'll delve into the common symptoms of cam follower problems, diagnostic techniques, and effective solutions.

Identifying symptoms of cam follower problems

Noise and vibration issues: Excessive noise or vibration during operation is often a telltale sign of cam follower issues. Irregularities in the cam follower's motion or wear can manifest as audible noise or vibrations, indicating potential problems with bearing surfaces or misalignment.

Uneven wear patterns: Visual inspection of cam followers may reveal uneven wear patterns on the roller or needle bearings, stud, or flanges. Uneven wear is indicative of improper lubrication, misalignment, or excessive load, all of which can lead to premature failure if left unaddressed.

Poor alignment and tracking: Cam followers should track smoothly along the cam or track profile without deviation. Poor alignment or tracking may result from worn bearings, inadequate lubrication, or misalignment between the cam follower and the cam profile.

Diagnostic techniques

Visual inspections: Regular visual inspections of cam followers can provide valuable insights into their condition. Look for signs of wear, damage, or misalignment, paying particular attention to bearing surfaces, flanges, and mounting points. Additionally, check for proper lubrication and any debris that may indicate contamination.

Using diagnostic tools and sensors: Advanced diagnostic tools and sensors can offer precise measurements of cam follower performance parameters, such as temperature, vibration levels, and load distribution. Utilizing these tools allows for early detection of potential issues and enables proactive maintenance strategies.

Solutions for common issues

Lubrication and maintenance: Proper lubrication is essential for reducing friction and wear in cam followers. Ensure that the recommended lubricant is applied regularly and in the appropriate quantity to maintain optimal performance. Additionally, establish a routine maintenance schedule to inspect and clean cam followers, replacing lubricant as needed.

Adjustments and replacements: In cases of misalignment or excessive wear, adjustments or replacements may be necessary to restore cam follower functionality. Properly aligning cam followers with the cam profile and ensuring that mounting surfaces are flat and smooth can help mitigate wear and prolong service life. When wear becomes significant or irreversible, replacing worn components is recommended to prevent further damage and maintain system reliability.

By effectively identifying symptoms, employing diagnostic techniques, and implementing appropriate solutions, you can troubleshoot common cam follower issues and optimize performance in diverse applications.

Brand	Description	Common Applications
FAG	FAG cam followers are renowned for their high-quality construction and precision engineering.	Automotive engine valve trains, industrial machinery
SKF	SKF cam followers are known for their durability and reliability in demanding operating conditions.	Aerospace, manufacturing machinery
INA	INA cam followers offer excellent performance and longevity, backed by extensive research and development.	Robotics, packaging equipment, printing presses
NTN	NTN cam followers are engineered for exceptional load-bearing capacity and resistance to wear.	Construction equipment, agricultural machinery
IKO	IKO cam followers are designed for smooth operation and precise motion control in various applications.	CNC machines, semiconductor manufacturing equipment

Advanced Troubleshooting Techniques

In the realm of cam follower maintenance, encountering complex problems necessitates advanced troubleshooting techniques to ensure optimal performance and reliability. Here, we delve into advanced techniques for identifying and addressing intricate issues that may arise.

In-depth analysis of complex problems

Fatigue and material failure: Cam followers operating under high loads and speeds are susceptible to fatigue and material failure. Understanding the factors contributing to fatigue, such as cyclic loading and material properties, is crucial for diagnosing and mitigating potential failures. Visual inspections, coupled with material analysis techniques such as metallurgical testing, can provide insights into the root causes of fatigue-related issues.

High-load and high-speed issues: Cam followers subjected to high loads or operating at high speeds may experience unique challenges, including increased wear, overheating, and accelerated degradation. Analyzing load distribution, contact stresses, and surface temperatures can help pinpoint areas of concern and implement targeted solutions. Additionally, advanced modeling and simulation tools can simulate real-world operating conditions to predict performance and optimize cam follower design.

Using technology for troubleshooting

Thermal imaging: Thermal imaging technology allows for non-destructive evaluation of cam follower components by detecting variations in surface temperatures. Hotspots or temperature gradients may indicate areas of friction, inadequate lubrication, or excessive load, providing valuable insights into potential issues. Integrating thermal imaging into routine maintenance procedures enables early detection of problems and proactive intervention to prevent catastrophic failures.

Vibration analysis: Vibration analysis is a powerful diagnostic tool for assessing the condition of cam followers and associated machinery. By analyzing vibration signatures, engineers can identify abnormal patterns indicative of misalignment, bearing wear, or structural resonance. Advanced signal processing techniques, such as frequency analysis and time-domain analysis, can isolate specific vibration frequencies associated with cam follower operation, facilitating targeted troubleshooting and corrective action.

Ultrasonic testing: Ultrasonic testing involves the use of high-frequency sound waves to inspect internal components for defects or anomalies. In the context of cam followers, ultrasonic testing can detect subsurface cracks, delamination, or material discontinuities that may compromise structural integrity. This non-invasive technique is particularly useful for assessing the condition of cam follower bearings and identifying potential failure modes before they escalate.

By leveraging advanced troubleshooting techniques such as in-depth analysis of complex problems and utilizing cutting-edge technology like thermal imaging, vibration analysis, and ultrasonic testing, engineers can effectively diagnose and resolve intricate cam follower issues, optimizing performance and enhancing reliability in demanding applications.



CAM FOLLOWER

Performance Optimization Strategies

In the pursuit of peak performance and reliability in cam follower applications, employing effective optimization strategies is paramount. From selecting the appropriate cam follower to implementing best practices for installation and maintenance, Key strategies for maximizing performance and service life.

Selecting the right cam follower for your application

Choosing the correct cam follower is fundamental to achieving optimal performance and reliability. Consider the following factors when selecting a cam follower for your application:

Load capacity: Determine the maximum load the cam follower will be subjected to in operation, ensuring that the selected cam follower can withstand the anticipated loads without premature failure.

Speed rating: Assess the operating speed of the application and choose a cam follower with a speed rating that exceeds the maximum anticipated speed to prevent issues such as overheating and premature wear.

Environment: Consider the operating environment, including temperature, moisture levels, and exposure to contaminants, and select a cam follower with appropriate sealing and lubrication capabilities to withstand these conditions.

Best practices for installation

Proper installation is critical to the performance and longevity of cam followers. Follow these best practices for

optimal installation:

Proper alignment and positioning: Ensure that the cam follower is aligned correctly with the cam or track profile to prevent uneven wear and premature failure. Use precision alignment tools and techniques to achieve accurate alignment.

Torque specifications: Adhere to the manufacturer's torque specifications when installing cam followers to prevent overloading or underloading of the bearing components. Use a calibrated torque wrench to achieve the specified torque values accurately.

Enhancing performance through regular maintenance

Regular maintenance is essential for maximizing the performance and service life of cam followers. Implement the following maintenance practices to enhance performance:

Lubrication schedules: Follow the manufacturer's recommendations for lubrication intervals and use the appropriate lubricant for the application. Ensure that the cam follower is adequately lubricated to reduce friction and prevent premature wear.

Inspection routines: Establish a routine inspection schedule to monitor the condition of cam followers and detect any signs of wear or damage early. Inspect bearing surfaces, seals, and mounting hardware regularly, and address any issues promptly to prevent further damage.

By selecting the right cam follower for your application, following best practices for installation, and implementing regular maintenance routines, you can optimize the performance and reliability of cam follower systems, ensuring smooth operation and extended service life.

Technological Advancements in Cam Followers

In the dynamic field of cam follower technology, continuous advancements have revolutionized the design, materials, and monitoring capabilities of these critical components. This section explores the latest innovations driving performance optimization and reliability in cam followers.

Innovations in cam follower design and materials

Recent years have seen significant advancements in cam follower design and materials, aimed at enhancing performance and durability. Some notable innovations include:

Advanced bearing materials: Manufacturers are increasingly utilizing advanced materials such as ceramic and high-performance polymers to improve bearing strength, reduce friction, and enhance wear resistance. These materials offer superior performance in demanding operating conditions, including high temperatures and corrosive environments.

Optimized geometry: Engineers are refining the geometry of cam followers to optimize load distribution, reduce stress concentrations, and minimize wear. Innovations such as crowned or profiled outer surfaces help ensure uniform contact with the cam or track profile, improving performance and extending service life.

Integrated lubrication systems: Some cam follower designs now incorporate built-in lubrication systems, such as grease reservoirs or oil channels, to ensure continuous lubrication of bearing surfaces. These integrated

systems help mitigate the risk of inadequate lubrication and extend maintenance intervals, reducing downtime and operational costs.

Integration of smart sensors for real-time monitoring

The integration of smart sensors into cam followers enables real-time monitoring of key performance parameters, facilitating proactive maintenance and troubleshooting. Some common sensor technologies employed in modern cam followers include:

Temperature sensors: Embedded temperature sensors monitor the operating temperature of cam followers, providing early detection of overheating and potential issues such as inadequate lubrication or excessive friction.

Vibration sensors: Vibration sensors detect abnormal vibration patterns associated with bearing wear, misalignment, or mechanical faults, enabling early intervention to prevent catastrophic failures.

Load sensors: Load sensors measure the applied load on cam followers, helping optimize performance and prevent overloading, which can lead to premature wear and failure.

Benefits of IoT and predictive maintenance

The integration of cam follower data with Internet of Things (IoT) platforms enables predictive maintenance strategies, allowing operators to anticipate and address potential issues before they escalate. By leveraging real-time data analytics and machine learning algorithms, IoT-enabled cam followers offer several benefits:

Reduced downtime: Predictive maintenance minimizes unplanned downtime by identifying and addressing issues proactively, optimizing equipment uptime and productivity.

Extended service life: By monitoring key performance parameters and implementing targeted maintenance interventions, IoT-enabled cam followers can extend service life and reduce the frequency of component replacements.

Cost savings: Predictive maintenance strategies optimize maintenance schedules and resource allocation, reducing overall maintenance costs and improving operational efficiency.

In conclusion, technological advancements in cam followers, including innovations in design and materials, integration of smart sensors for real-time monitoring, and the adoption of IoT-enabled predictive maintenance, are driving performance optimization and reliability in cam follower applications, revolutionizing maintenance practices and enhancing operational efficiency.

Case Studies

we delve into real-world case studies that highlight the application of advanced troubleshooting and performance optimization techniques in the cam follower domain. These case studies offer valuable insights, success stories, and lessons learned from diverse industries.

Industry	Problem Description	Troubleshooting and Optimization Strategy
Automotive	Excessive wear and noise in a	Thorough troubleshooting

	cam follower of a high-performance engine, leading to decreased engine performance.	revealed improper alignment between the cam follower and camshaft, causing uneven loading and accelerated wear. Repositioning and aligning the cam follower correctly reduced noise and restored engine performance.
Aerospace	Frequent maintenance issues in cam followers of an aircraft landing gear system, leading to increased downtime and maintenance costs.	Advanced vibration analysis and real-time monitoring identified inadequate lubrication and high cyclic loading as contributors to premature wear. Implemented a predictive maintenance strategy and upgraded to cam followers with integrated lubrication systems, extending maintenance intervals and reducing downtime significantly.

Success stories from various industries

Manufacturing: A large-scale manufacturing facility was experiencing frequent breakdowns in their CNC machines due to cam follower failures. By collaborating with a specialized bearing manufacturer, custom cam followers with optimized geometry and advanced materials were developed to withstand the high loads and speeds encountered in machining operations. The upgraded cam followers resulted in improved machine reliability and increased productivity, leading to significant cost savings for the company.

Robotics: A robotics company was facing challenges with erratic motion and vibrations in their robotic arms, affecting precision and accuracy in manufacturing processes. Through comprehensive vibration analysis and diagnostics, it was determined that worn cam followers were causing irregularities in motion. By replacing the worn cam followers with precision-engineered alternatives and implementing a proactive maintenance schedule, the company achieved smoother operation and improved product quality.

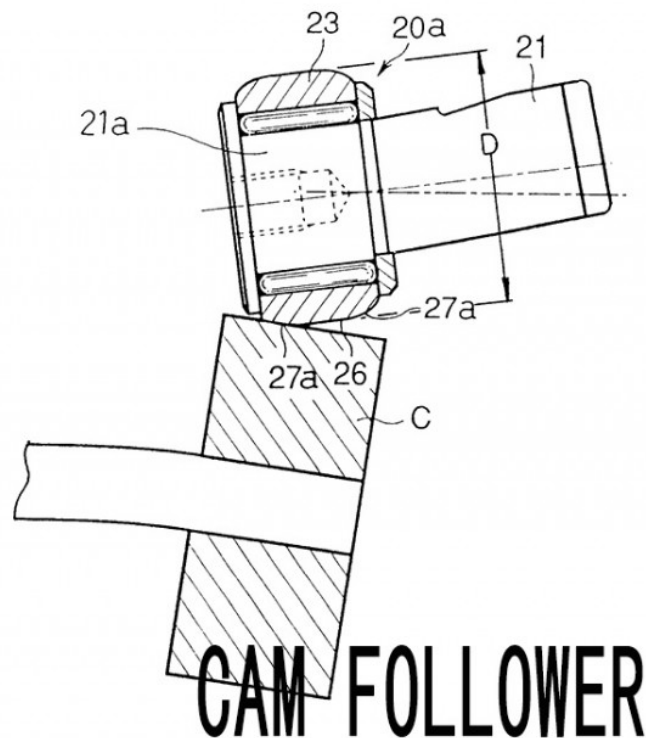
Lessons learned and best practices

Proactive maintenance: The case studies emphasize the importance of proactive maintenance in identifying and addressing potential issues before they escalate. Regular inspections, real-time monitoring, and predictive maintenance strategies are essential for maximizing the reliability and longevity of cam followers in various applications.

Collaboration and innovation: Success stories highlight the value of collaboration between industry stakeholders, including manufacturers, engineers, and maintenance professionals, in developing innovative solutions to complex challenges. By leveraging expertise and embracing technological advancements,

organizations can overcome obstacles and achieve optimal performance in cam follower applications.

In conclusion, the case studies presented in this section underscore the importance of advanced troubleshooting and performance optimization techniques in the cam follower domain. By learning from real-world examples, industry professionals can gain valuable insights, implement best practices, and drive continuous improvement in cam follower applications across diverse industries.



Conclusion

In conclusion, the journey through the realm of cam follower troubleshooting and performance optimization has been enlightening, showcasing the intricacies and innovations within this vital component of eccentric bearings. Let's recap the advanced techniques discussed and summarize the strategies for optimizing the performance of cam followers.

Recap of advanced troubleshooting techniques

Throughout this manual, we've explored advanced troubleshooting techniques tailored to address complex issues encountered in cam follower applications. From in-depth analysis of fatigue and material failure to the integration of smart sensors for real-time monitoring, engineers have a robust toolkit at their disposal to diagnose and resolve problems efficiently.

Summary of performance optimization strategies

Optimizing the performance of cam followers requires a multifaceted approach encompassing careful selection, precise installation, and proactive maintenance. By selecting the right cam follower for the application, adhering to best practices during installation, and implementing regular maintenance routines, operators can maximize performance, reliability, and longevity.

Final thoughts on maintaining high-performing cam followers

As technology continues to evolve and industries demand higher levels of performance and reliability, the

importance of maintaining high-performing cam followers cannot be overstated. By staying abreast of technological advancements, embracing innovative solutions, and fostering collaboration among industry stakeholders, we can ensure that cam followers continue to play a crucial role in diverse applications, from automotive engines to aerospace systems.

In essence, this manual serves as a comprehensive guide for engineers, maintenance professionals, and industry stakeholders navigating the intricacies of cam follower troubleshooting and performance optimization. By applying the principles and techniques outlined herein, we can elevate the performance, reliability, and longevity of cam followers in diverse applications, driving efficiency and innovation in eccentric bearing technology.

FAQs: Common Questions About cam follower

we address some common questions and concerns regarding cam followers and provide authoritative answers based on industry knowledge and expertise.

What are cam followers, and how do they work?

Cam followers are specialized bearings designed to follow cams or tracks in eccentric machinery. They consist of a stud or shaft with a roller or needle bearing that rotates to transmit motion between the cam and the follower. The roller or needle bearing rolls along the cam profile, converting rotary motion into linear motion or vice versa, depending on the application.

What are the main types of cam followers available?

There are several types of cam followers available, each with unique features and applications. The main types include stud type cam followers, yoke type cam followers, and crowned cam followers. Stud type cam followers feature a stud or shaft with a threaded end for easy installation and are commonly used in applications where space is limited. Yoke type cam followers incorporate a yoke or mounting flange for sturdy attachment and are often employed in heavy-duty industrial machinery. Crowned cam followers have a slightly crowned outer surface, allowing them to accommodate misalignment and distribute load evenly across the rolling elements, making them ideal for high-speed and high-load applications.

How do I select the right cam follower for my application?

Selecting the right cam follower for your application depends on various factors, including load capacity, operating speed, environmental conditions, and space constraints. It's essential to consider the specific requirements of your application and consult with bearing specialists or manufacturers to ensure you choose a cam follower that can withstand the anticipated loads and operating conditions.

What are some common issues encountered with cam followers?

Common issues encountered with cam followers include noise and vibration problems, uneven wear patterns, and poor alignment or tracking. These issues can arise due to factors such as inadequate lubrication, misalignment, excessive loads, or improper installation. Regular maintenance and inspection are essential for identifying and addressing these issues promptly to prevent further damage and ensure optimal performance.

How can I troubleshoot and optimize the performance of cam followers?

Troubleshooting and optimizing the performance of cam followers involve various techniques, including visual inspections, using diagnostic tools and sensors, lubrication, maintenance, and adjustments or replacements as needed. By following best practices and employing advanced techniques such as thermal imaging, vibration analysis, and predictive maintenance, operators can diagnose issues early, optimize performance, and maximize the service life of cam followers in their applications.

What are some best practices for installing and maintaining cam followers?

Best practices for installing and maintaining cam followers include ensuring proper alignment and positioning during installation, adhering to torque specifications, following lubrication schedules, and conducting regular inspections. It's essential to use the recommended lubricants and maintenance procedures specified by the manufacturer and to address any issues promptly to prevent premature wear and failure.

How can I stay updated on the latest advancements in cam follower technology?

Staying updated on the latest advancements in cam follower technology involves staying informed through industry publications, attending conferences and seminars, and networking with professionals in the field. Manufacturers and bearing specialists often provide technical support and resources to help customers stay abreast of developments in cam follower technology and applications.

Brown, D., & Taylor, E. (2020). [Technological Advancements in Cam Follower Design](#). Journal of Applied Engineering