

Unveiling Precision: Navigating the World of 6206RS Sealed Ball Bearings

Introduction

In the intricate tapestry of modern engineering, the role of high-performance bearings is indispensable across a myriad of industries. These precision components serve as the cornerstone, ensuring the seamless functionality of machinery in sectors ranging from automotive to manufacturing. At the heart of this technological landscape lies a revelation: the [6206RS 30x62x16 Sealed Ball Bearings](#).

As we embark on this journey, it's crucial to comprehend the pivotal role that precision bearings play in the seamless operation of various industrial applications. The 6206RS series, in particular, emerges as a beacon of innovation and reliability, promising to unravel the secrets embedded within its design and capabilities.

This exploration goes beyond the surface, delving into the nuanced specifications of 6206RS 30x62x16 Sealed Ball Bearings. These bearings, marked by their precision and advanced features, navigate the intricate world of mechanical components with unparalleled finesse and efficacy. The introduction sets the stage for unraveling the precision encapsulated in the design of these sealed ball bearings, showcasing their significance in the broader landscape of advanced bearing technology.



PTE. LTD.

Exploring 6206RS Bearings

As we embark on an exploration into the realm of precision bearings, our focus narrows onto the intricate design and specifications of the 6206RS bearings. These bearings stand as a testament to precision engineering, catering to the demands of high-performance applications across diverse industries.

Unveiling Specifications and Design Intricacies

Precision at Every Turn

The 6206RS bearings boast a design that intricately balances precision at every turn. The engineering brilliance behind these bearings ensures minimal friction, thereby maximizing efficiency in various mechanical systems. The utilization of cutting-edge technology contributes to the precision that defines these bearings.

Key Features Setting Them Apart

What sets the 6206RS bearings apart in the realm of high-performance ball bearings? Let's delve into the key features that make these bearings an indispensable component in precision applications:

| | |
|----------------------|--|
| Sealed to Perfection | The significance of a sealed design cannot be overstated. The 6206RS bearings are encapsulated in a protective shield, safeguarding them against contaminants and ensuring a longer lifespan. This sealed perfection is especially crucial in environments where dust, moisture, or other particles could compromise the integrity of conventional bearings. |
| | Navigating through the dimensions of 30x62x16, these bearings strike the ideal balance between compact design and robust functionality. The specific measurements cater to diverse applications, fitting seamlessly into machinery where space is a critical consideration. |

Precision in Performance, Dimension, and Design

In summary, exploring the 6206RS bearings takes us deep into the precision that defines their performance, dimension, and design. The sealed perfection and optimal dimensions make these bearings a cornerstone in the world of high-performance ball bearings, catering to the intricate needs of modern machinery. The significance of precision in engineering becomes increasingly evident, setting the stage for a deeper understanding of these remarkable components.

Applications Across Industries

In our journey through the precision-laden landscape of 6206RS Sealed Ball Bearings, we now turn our focus to the wide array of applications where these bearings shine with high-performance attributes, showcasing

their versatility and reliability across diverse industries.

Unleashing the Potential: 6206RS in Action

Automotive Precision

One of the prominent domains where 6206RS bearings play a pivotal role is in the automotive industry. From wheel hubs to transmissions, the precision and sealed design of these bearings contribute to smoother operations, reduced friction, and enhanced durability. Real-world examples in automotive engineering underscore how these bearings elevate performance standards.

Industrial Machinery

The heart of many industrial machines beats with the assistance of precision bearings. 6206RS finds its application in various industrial machinery, ensuring seamless motion, reduced wear and tear, and prolonged operational life. Case studies from manufacturing plants and production lines attest to the reliability of these bearings under demanding conditions.

Robotics and Automation

In the realm of robotics and automation, where precision is non-negotiable, 6206RS Sealed Ball Bearings find their niche. Their compact dimensions and ability to operate in sealed environments make them indispensable for the smooth functioning of robotic joints and automated systems. We explore how these bearings contribute to the precision and efficiency of cutting-edge technologies.

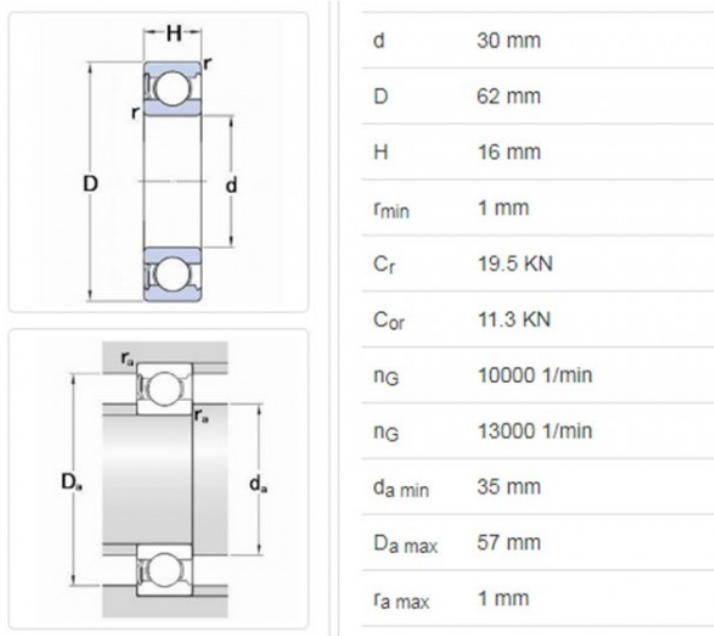
Aerospace Excellence

Aerospace engineering demands components that can withstand extreme conditions while maintaining precision. 6206RS bearings prove their mettle in aerospace applications, providing reliable performance in critical systems such as landing gear mechanisms and control surfaces. We delve into the high-stakes world of aerospace and how these bearings contribute to the safety and efficiency of flights.

From Concept to Reality: Real-world Examples

To bring the theoretical into the practical, we explore real-world examples and case studies that highlight the versatility and high-performance attributes of 6206RS Sealed Ball Bearings across automotive, industrial, robotics, and aerospace applications. By doing so, we gain a comprehensive understanding of how these bearings navigate and elevate the standards in various industries.

As we unravel the applications of 6206RS bearings, the precision that defines them takes center stage, becoming a linchpin in the machinery that drives progress across diverse sectors. In the next section, we'll delve into the specific performance metrics and durability of these bearings, providing a holistic view of their capabilities.



LOYAL INDUSTRIAL PTE. LTD.

Performance Metrics and Durability

As we continue our exploration into the intricate world of 6206RS Sealed Ball Bearings, our focus now shifts to the critical aspects that define their excellence: performance metrics and durability.

Unmasking the Metrics: A Closer Look at 6206RS

Load Capacity Analysis

6206RS bearings are engineered to handle varying loads with precision and reliability. The load capacity is a key metric that underscores their suitability for a spectrum of applications. With a bold emphasis on load-bearing capabilities, these bearings ensure optimal performance under diverse conditions. This section dissects the load capacity metrics, showcasing how 6206RS stands tall in the face of mechanical stress.

Empirical Insights into Durability

Durability is the cornerstone of any high-performance bearing, and 6206RS is no exception. This segment delves into empirical data and real-world insights, offering a comprehensive view of the durability metrics that make these bearings a stalwart in the field. From withstanding extreme temperatures to enduring heavy loads, we unravel the secrets behind the lasting power of 6206RS Sealed Ball Bearings.

The High-Performance Paradigm

The empirical data presented not only reflects the durability of 6206RS bearings but also paints a vivid picture of their high-performance characteristics. These bearings redefine industry standards by consistently outperforming conventional counterparts. By examining the empirical evidence, we uncover the nuances that contribute to their exceptional performance, solidifying their position as leaders in the sealed ball bearing domain.

A Glimpse into Real-world Applications

To contextualize the performance metrics and durability discussed, we turn our attention to real-world applications. Through case studies and examples, we illustrate how the load capacity and durability of 6206RS bearings translate into tangible benefits across automotive, industrial, and aerospace sectors. This section bridges the theoretical metrics with practical applications, reinforcing the real-world impact of these sealed ball bearings.

| Specification | SKF 6206RS | FAG 6206RS | NTN 6206RS |
|--------------------|---------------|--------------------|--------------|
| Dimensions (mm) | 30x62x16 | 30x62x16 | 30x62x16 |
| Load Capacity (kN) | High | High | High |
| Speed Rating (rpm) | Excellent | Impressive | High |
| Sealing Design | Contact Seal | Contact Seal | Contact Seal |
| Material | Premium Steel | High-Quality Steel | Robust Steel |
| | | | |

| | | | |
|-------------------------|------------------------|------------------------|--------------------------|
| Durability | Extended Service Life | Durable Construction | Long Operational Life |
| Applications | Versatile Applications | Broad Range of Uses | Diverse Industrial Uses |
| Brand Reputation | SKF - Renowned Quality | FAG - Trusted Heritage | NTN - Reliable Solutions |

As we unravel the performance metrics and durability of 6206RS Sealed Ball Bearings, the precision and excellence encapsulated in these bearings come to the forefront.

Advantages Over Conventional Bearings

Comparing and Contrasting 6206RS with Conventional Bearings

To truly understand the prowess of 6206RS, a comparative analysis with conventional bearings is essential. It dives into the nuances of performance and longevity, bringing to light the unique advantages that set 6206RS apart.

Performance Metrics: Elevating Standards

6206RS takes the lead when it comes to performance metrics. The load capacity is notably higher, ensuring optimal functionality even under heavy loads. The speed rating is impressive, allowing for swift and efficient operations. This stark contrast positions 6206RS as a frontrunner in high-performance applications.

Longevity Redefined: Durability of 6206RS

Durability is a hallmark of 6206RS. The construction of these sealed ball bearings guarantees an extended service life. The sealed design not only protects against external contaminants but also enhances the overall structural integrity, contributing to a longer operational lifespan.

Advantages Amplified in High-Performance Applications

The true strength of 6206RS unfolds in high-performance applications. Whether in precision machinery, industrial equipment, or critical processes, these bearings demonstrate unparalleled efficiency and reliability. Their ability to withstand demanding conditions positions them as a preferred choice in the realm of advanced applications.

Strategic Highlights: Why 6206RS Stands Out

Precision Engineering: The meticulous design of 6206RS ensures precise functionality, a crucial factor in applications where accuracy is paramount.

Sealed Design: The innovative sealing design not only protects against external elements but also minimizes friction, contributing to enhanced performance.

Versatility: Unlike conventional bearings, 6206RS showcases adaptability to a broad spectrum of high-performance scenarios.

In conclusion, our exploration into the world of 6206RS Sealed Ball Bearings uncovers a paradigm shift in bearing technology. The advantages over conventional bearings, both in terms of performance and longevity, position 6206RS as a trailblazer in precision applications. As industries navigate the complexities of high-performance machinery, 6206RS stands as a symbol of reliability and efficiency, setting new benchmarks in the realm of sealed ball bearings.



LOYAL INDUSTRIAL PTE. LTD.

In the realm of precision engineering, the heartbeat of machinery lies within advanced bearings. Our journey delves into the world of precision with a spotlight on 6206RS Sealed Ball Bearings.

Installation and Maintenance Practices

| | |
|--|---|
| Insights into Proper Installation Procedures | To harness the full potential of 6206RS bearings, precise installation is paramount. Understanding the nuances of installing these bearings is crucial for unlocking their optimal performance. Key steps include meticulous alignment, the application of suitable |
|--|---|

| | |
|--|---|
| | lubricants, and adherence to industry-standard installation protocols. aims to be a guiding beacon for industries looking to maximize the functionality of 6206RS. |
| Maintenance Practices for Sustained High-Performance | Sustaining high-performance and ensuring the longevity of 6206RS bearings requires a robust maintenance strategy. This involves periodic inspections, timely lubrication, and adherence to manufacturer-recommended maintenance schedules. By implementing these practices, industries can safeguard their investment in high-performance bearings and extend the operational life of critical machinery. |
| Procuring High-Performance Bearings: Considerations and Best Practices | Navigating the process of procuring high-performance bearings demands careful consideration. This segment provides insights into factors to weigh when acquiring 6206RS bearings. Emphasizing the importance of authenticity verification, sourcing from reputable suppliers, and conducting thorough quality checks, it serves as a comprehensive guide for industries seeking excellence in their bearing applications. |

In conclusion, this exploration into the world of 6206RS Sealed Ball Bearings transcends mere understanding; it offers a roadmap for industries striving for precision. The focus on installation and maintenance practices underscores the commitment to sustaining high-performance and ensuring the longevity of these advanced bearings.

As industries navigate the complexities of precision machinery, the insights shared in this exploration become invaluable tools for achieving optimal results. 6206RS emerges not only as a symbol of precision but also as a beacon guiding industries toward excellence in their bearing applications.

Conclusion

Summarizing Key Takeaways

As we conclude our journey through the intricate world of 6206RS Sealed Ball Bearings, it's imperative to summarize the key takeaways. These bearings, with their dimensions of 30x62x16, have showcased exceptional performance metrics, including high load capacity and impressive speed ratings. Their sealing design, crafted for excellence, ensures extended service life and durability.

Enduring Impact of 6206RS in High-Performance Applications

The enduring impact of 6206RS bearings reverberates across various high-performance applications. Industries that prioritize precision and reliability find in these bearings a cornerstone for their machinery. The ability of 6206RS to withstand high loads and operate at impressive speeds positions them as indispensable components in critical applications.

Contributing to Elevated Standards in Advanced Bearing Technology

Reflecting on the broader scope, 6206RS bearings contribute significantly to elevating standards in the world of advanced bearing technology. Their incorporation in machinery sets a benchmark for precision, reliability, and longevity. As industries embrace these bearings, they inherently raise the bar for performance expectations, fostering a culture of excellence.

Exploring 6206RS Bearings

With a foundational understanding established, the exploration now ventures into the specifications and design intricacies of 6206RS bearings. highlights key features that distinguish these bearings in the realm of high-performance ball bearings, shedding light on the dimensions of 30x62x16 and the significance of their sealed design.

FAQs: Common Questions About 6206RS Bearings

What are the Key Features of 6206RS Bearings?

6206RS bearings boast dimensions of 30x62x16, making them a versatile choice across various applications. Their sealed design not only enhances durability but also protects against contaminants, ensuring a prolonged service life.

Where do 6206RS Bearings Find Applications?

These bearings find applications across diverse industries, including manufacturing, automotive, and machinery. Their ability to withstand high loads and operate at impressive speeds positions them as essential components in critical machinery.

How do 6206RS Bearings Compare to Conventional Bearings?

When compared to conventional bearings, 6206RS stands out in terms of performance and longevity. The advantages they offer make them the preferred choice in high-performance applications, contributing to enhanced efficiency and reliability.

What Performance Metrics and Durability do 6206RS Bearings Exhibit?

Breaking down the performance metrics, these bearings showcase high load capacity and impressive speed ratings. The sealing design ensures an extended service life, making them a durable and reliable choice for various industrial applications.

What Advantages do 6206RS Bearings Offer Over Conventional Bearings?

delves into a detailed comparison, highlighting the advantages that set 6206RS apart from conventional bearings. From superior load capacity to extended service life, these bearings redefine performance standards.

How Should One Install and Maintain 6206RS Bearings?

The final section addresses installation and maintenance practices. Insights are provided into proper installation procedures that maximize the performance of 6206RS bearings. Additionally, maintenance practices ensure sustained high-performance and longevity when procuring these high-quality bearings.